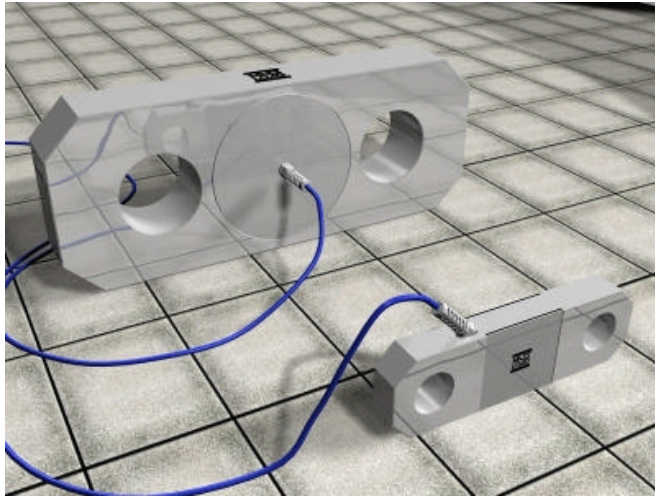


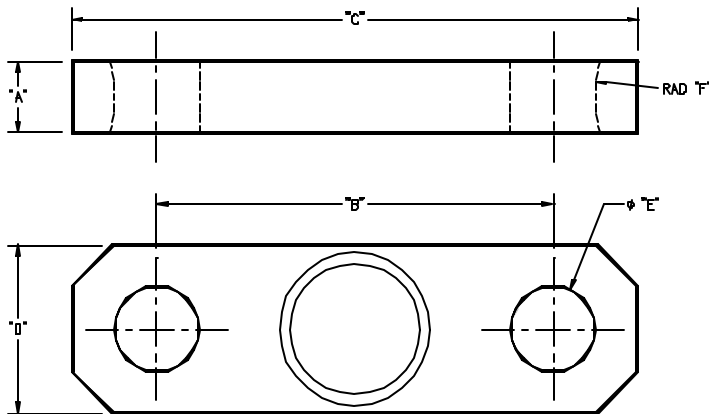
# ML700 Tension Link Loadcell

Massload Technologies - 301 47th Street East - Saskatoon, SK - Canada - S7K 5H2 - Toll Free (US & Can): 1-800-667-3825 - Fax: 306-931-1991



Remember we can custom design Tension Link Loadcells for your particular application. Many of our dealers are focusing on niche markets and have found them to be very profitable. If you have any questions contact us.

This cell can also be used as a wireless scale.



Loadcell Capacity	A		B		C		D		E		F	
	in	mm	in	mm	in	mm	in	mm	in	mm	in	mm
1k = 1000 lb.												
10k	1.25	32	6.75	171	10.00	254	3.00	76	1.00	25	Bearing Incl.	
25k	1.25	32	6.75	171	10.00	254	3.00	76	1.63	41	3.00	76
50k	1.63	41	7.50	191	11.75	298	3.63	92	2.13	54	5.00	127
75k	1.88	48	9.38	238	14.25	362	4.50	114	2.38	60	5.00	127
100k	1.94	49	9.38	238	14.75	375	5.00	127	2.38	60	6.00	152
150k	2.44	62	11.00	279	17.50	445	6.75	171	2.88	73	6.00	152
200k	2.94	75	11.00	279	20.25	514	7.44	189	3.38	86	n/a	n/a

The **ML700** is ideally suited for any application that involves lifting, pulling or winching. This Tension Link Loadcell is available in capacities ranging from 10,000 pounds to over 400,000 pounds. The cell is temperature compensated and completely environmentally protected. Be assured of accurate, consistent and reliable operation in temperatures ranging from -40 deg. C to +57 deg.

## Performance Specifications

- Capacities 10,000 lbs. (4,500kgs.) to 400,000 lbs.(180,000 kgs.)
- Safe Overload 200%
- Ultimate Overload 500%
- Full Scale Output 2 mv/v ± 0.25%
- Maximum Excitation 15 volts DC
- Thermal Zero Shift 0.00155 FS/°F
- Barometric Effect NIL
- Bridge Resistance 350 ohm

⊕ This is a great loadcell to use with our [wireless system](#).

⊕ Consult Massload for special sizes and capacities.

Visit our web page for our full line of weighing products.

<http://www.massload.com/>

## Dealer Information: